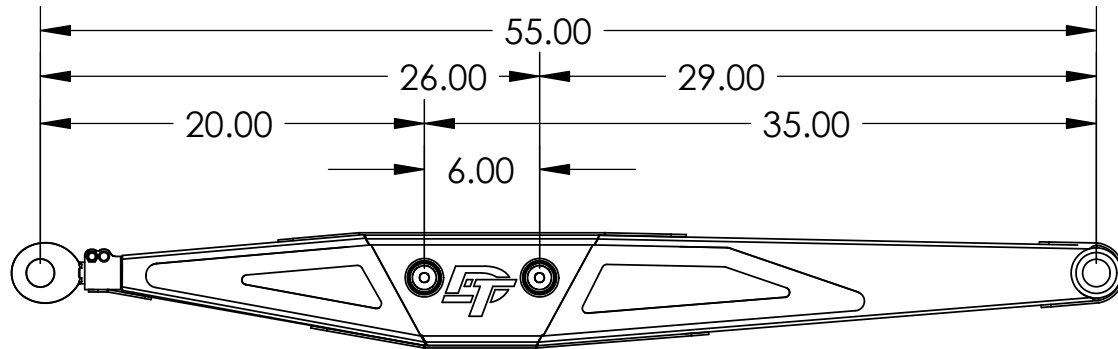
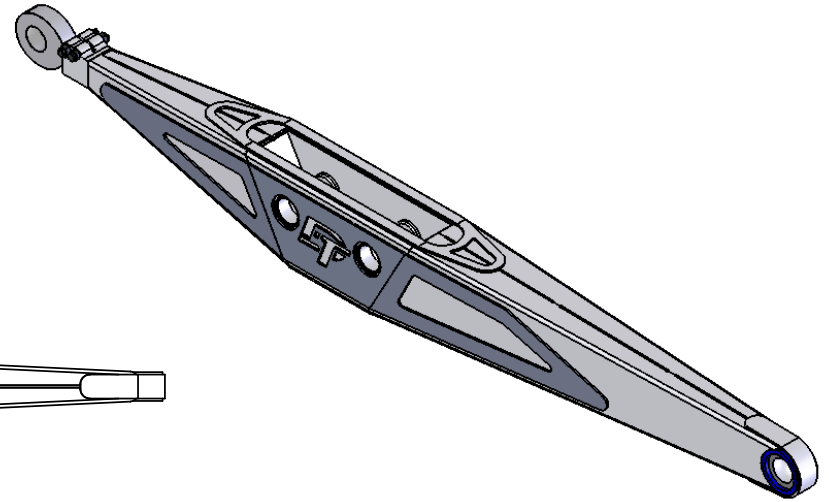
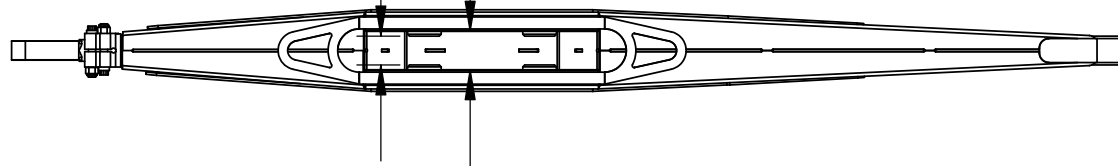


Shock Opening width 1.50
 2.00 Inside pocket width
 3.63 pocket depth



Race trailing arms require 4" shock ends

PROPRIETARY AND CONFIDENTIAL
 THE INFORMATION CONTAINED IN THIS DRAWING IS THE SOLE PROPERTY OF DIRT-TECH. ANY REPRODUCTION IN PART OR AS A WHOLE WITHOUT THE WRITTEN PERMISSION OF DIRT-TECH IS PROHIBITED.

		UNLESS OTHERWISE SPECIFIED:		NAME	DATE
		DIMENSIONS ARE IN INCHES TOLERANCES: FRACTIONAL ± 1/32 ANGULAR: MACH ±.01 BEND ±.1 TWO PLACE DECIMAL ±.01 THREE PLACE DECIMAL ±.002	DRAWN	D.HADA	X
			CHECKED		
			ENG APPR.	D.HADA	X
			MFG APPR.		
		INTERPRET GEOMETRIC TOLERANCING PER:	Q.A.		
		MATERIAL	COMMENTS:		
		FINISH			
NEXT ASSY	USED ON				
APPLICATION		DO NOT SCALE DRAWING			

DIRT-TECH

TITLE:
**TRAILING ARMS
 55in TROPHY**

SIZE A	DWG. NO. 55in RACE	REV NR
------------------	------------------------------	------------------

SCALE: 1:10	WEIGHT:	SHEET 1 OF 1
-------------	---------	--------------